

COF 1

RULES: IDPA Rules

Created By: METACON

START POSITION:

Sitting @ P1, firearm in box, loading devices on table.

SCENARIO:

SHOOT THE CARDBOARD

PROCEDURE:

On the signal, retrieve pistol, load and engage. Paper gets 2 shots each, steel must fall to score.

SCORING: Unlimited

ROUND COUNT: 14

TARGETS: 07

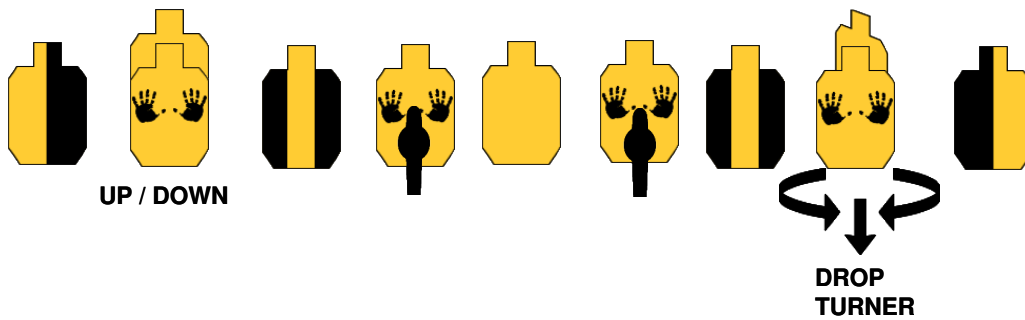
DISTANCE: 10M

SCORED HITS:

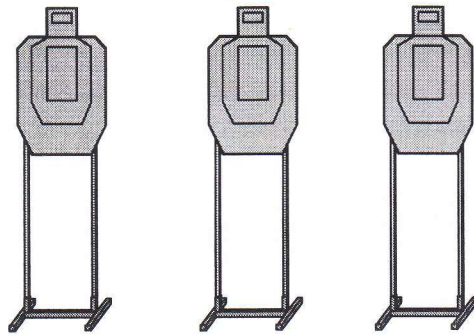
PENALTIES: As per current IDPA rulebook

CONCEALMENT: No

NOTES:



P1



Range Boundary

GETTIN DOWN TO THE BASICS – Hackathorn Head Shot Standards

P1

P2 Modified

DESCRIPTION: We all know how “wonderful” a Spring we just had so lets shake off those webs and start making some noise.

Shooter starts at P1, firearm is loaded and holstered; at the buzzer shooter will engage the 3 targets in this order – left to right, one head shot each; right to left, one head shot each, middle target gets first shot then remaining targets in any order.

Shooter then proceeds to P2, takes a knee and shoots at the head 3 times.

SAFETY REMINDERS: Shooter watch footing and muzzle when transitioning from P1 to P2

SET-UP: Targets are 3 feet apart and 5 yards from P1. Single head target is 15 yards from P2.

Concealment is not required

12 rounds

Limited scoring

P1

P2

P3

BILL DRILL (Modified)

COF 3

RULES: IDPA Rules

Created By: METACON

START POSITION:

Standing @ P1, firearm loaded, & holstered.

SCENARIO:

SHOOT THE CARDBOARD

PROCEDURE:

On the signal, draw and engage targets with 2 rounds from P1 slicing the pie. Move to P2 and repeat. Steel must fall to score. Watch fault lines.

SCORING: Unlimited

ROUND COUNT: 12

TARGETS: 06

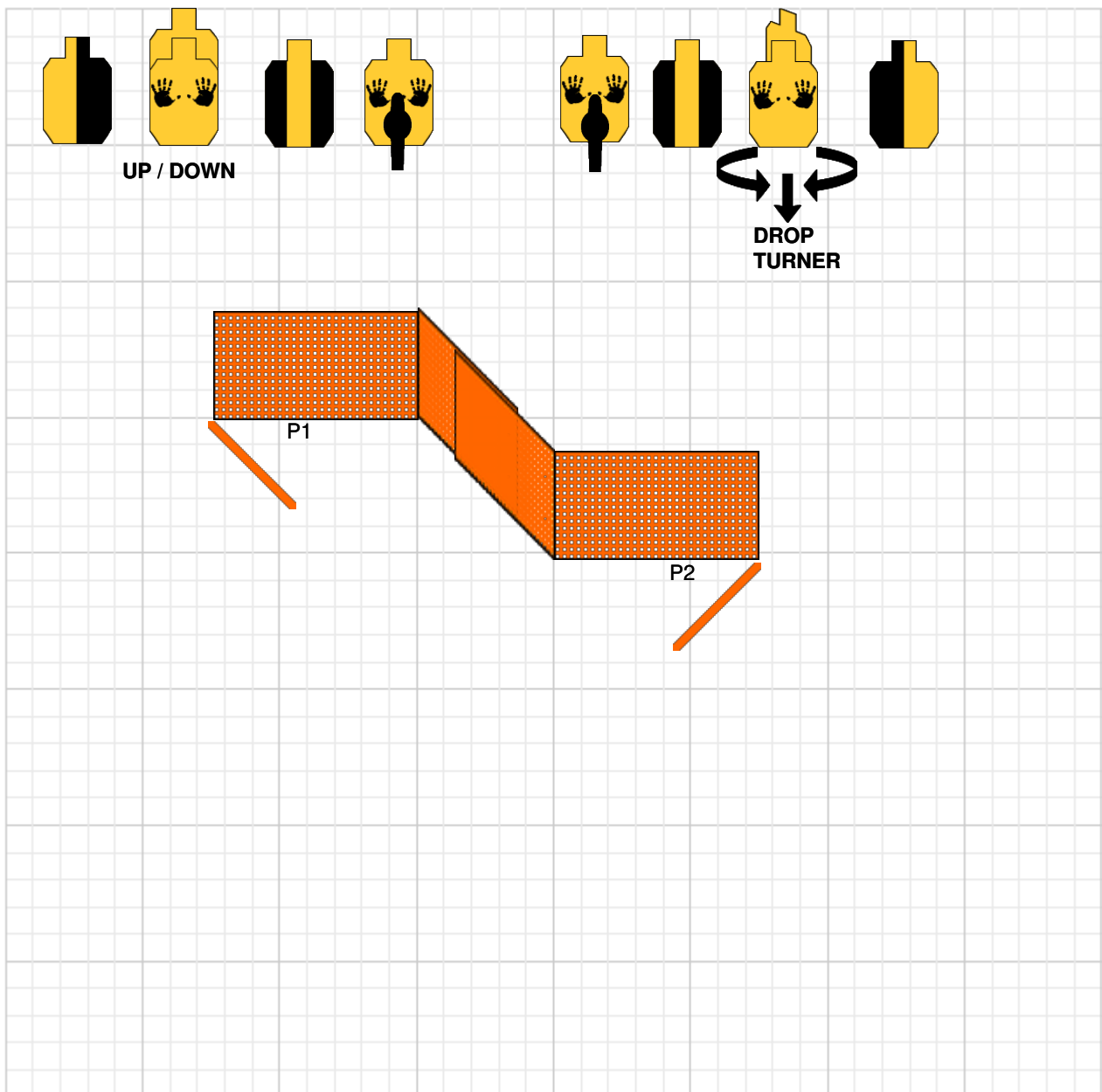
DISTANCE: 10M, 15M

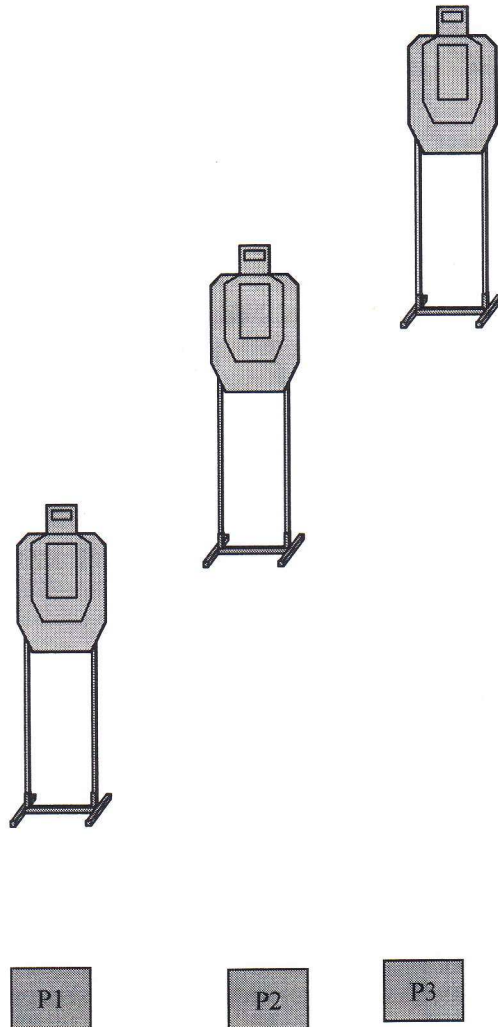
SCORED HITS:

PENALTIES: As per current IDPA rulebook

CONCEALMENT: No

NOTES:





Range Boundary

BILL DRILL (Modified)

DESCRIPTION: Shooter stands at P1 firearm is loaded and holstered: draw and fire 6 shots at T1, reload. Shooter transitions to P2 and from a knee, fire 6 shots to T2, reload. Transition to P3 and IN A PRONE POSITION (as long as Mother Nature agrees), fire 6 shots to T3.

SAFETY REMINDERS: Shooter watch footing/muzzle direction. Safety Officers to take control of shooters firearm while shooter is getting into and out of prone position.

SET-UP:, T1 is 7 yards from P1, T2 is 12 yards from P2 and T3 is 15 yards from P3

Concealment is not required

18 rounds

Limited Scoring